

eMH3 WALLBOX

TWIN MASTER+ WITH CHARGING CABLES

22 kW

Our eMH3 wallbox corresponds to the German "Eichrecht" and impresses with an extremely clean and elegant design. The color backlit symbols in the mirror-finish black cover with silver frame indicate the current charging status. The eMH3 Twin has two fixed charging cables with a Type 2 coupler for charging with up to 22 kW. For access control, the internal RFID module of the eMH3 Wallbox can be activated at any time via software. Of course, the eMH3 comes with our DC fault current detection installed as standard. The communication with a backend via OCPP for accounting the consumed charging current is already integrated. The wallbox is prepared for use as a master+. The master-slave system is suitable for group solutions that are billed via a back end system.



General information

| | |
|------------------------------|---|
| Model | eMH3 |
| Model number | 3W2264 |
| EAN number | 4011721176314 |
| Commodity code | 85371091 |
| Packaging unit (PU) | 1 unit |
| Packaging (dimensions HxWxD) | 700 x 500 x 400 mm |
| Components included | eMH3 Wallbox, printed Quick Start Guide, mounting kit, 1 three-square socket wrench |

Input/mains supply

| | |
|-----------------|---|
| Power supply | Supply up to a maximum of 16 mm ² or cable diameter ≤ 25 mm ² |
| Rated voltage | 230/400 V |
| Rated current | 32 A |
| Rated frequency | 50 Hz |
| Upstream fuse | 32 A (required onsite), C characteristic recommended |
| Terminal block | Direct connection to RCCB PE: feed-through terminal block |

Output/vehicle connection

| | |
|-----------------------|--|
| Connection system | Two charging cables with Type 2 connector in acc. with IEC62196-2, approx. 6 m |
| Output voltage | 230/400 V |
| Max. charging current | 32 A |
| Maximum output | 2 x 11 kW or 1 x 22 kW |

Protection/integrated components

| | |
|----------------------------|--|
| RCCB | RCCB, Type A, 30 mA |
| DC fault current detection | electronic, $I_{\Delta n.d.c.} \geq 6 \text{ mA}$ |
| Energy meter | MID approved |
| Calibration law module | Logging Gateway (LGW) |
| Load switching | Installation contactor, 4-pole, 40 A |
| Welding detection | Contactors welding switches off the charging point |
| Temperature monitoring | internal, charging current reduction or shut down |

Charging monitor/status indicators

| | |
|---|--|
| Charge controller | EVCC2 |
| Indication (operating state/fault indication) | LED |
| Access control | RFID MIFARE, QR code, SMS or smartphone app |
| Communication EV | in acc. with IEC 61851-1 Mode 3 |
| Communication EVSE | RS485 |
| Backend communication | LTE - OCPP 1.6 and 1.5, transport via SOAP or WebSockets |

Standards/guidelines

| |
|-----------------------------|
| IEC 61851-1 |
| IEC 61439-7 ACSEV |
| in acc. with MessEV Modul B |

Operating conditions

| | |
|--------------------------------|--|
| Storage temperature | -30 to 85°C |
| Operating temperature | -25 to 40°C in acc. with DIN EN 61851-1 -30 to 50°C with integrated derating function |
| Relative humidity | 5 to 95%, no condensation |
| Class of protection | I |
| Overvoltage category | III |
| Degree of pollution | 3 |
| Degree of protection (housing) | IP54 |
| Impact strength | IK08 |
| Maximum elevation | ≤ 2,000 m AMSL |
| Power dissipation | 7 W |

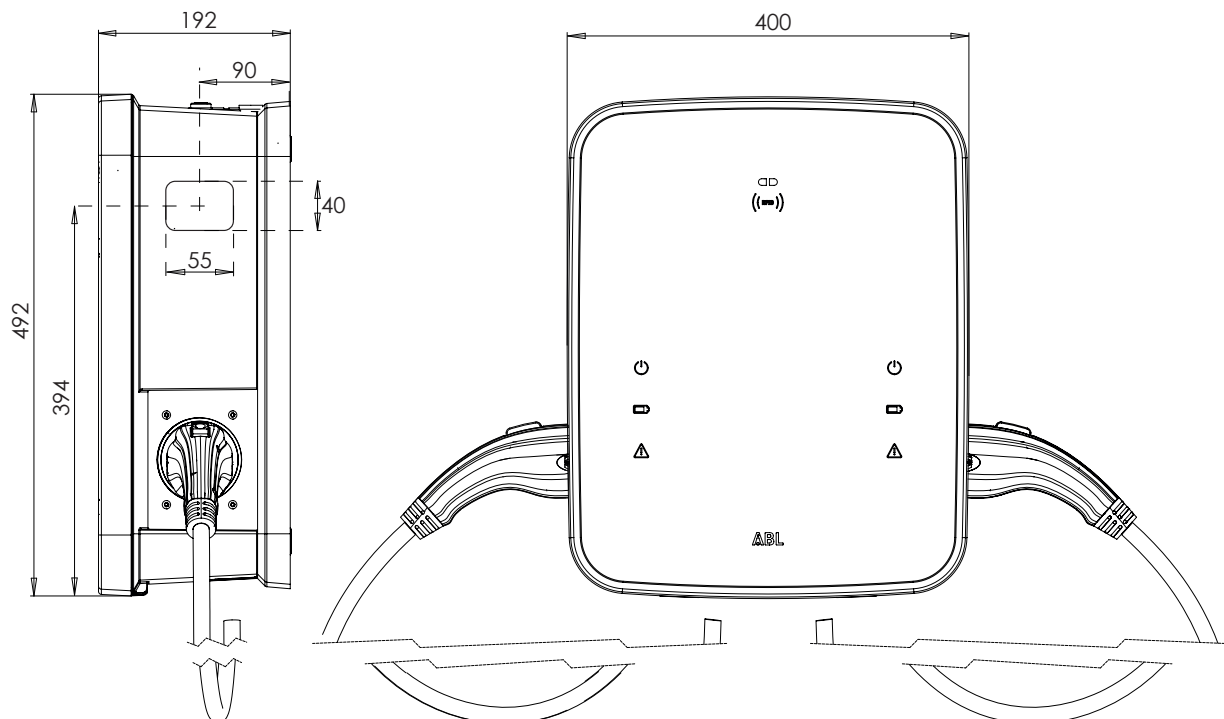
Housing

| | |
|-----------------------|--|
| Type | Wall-mounted housing |
| Fixing type | Wall mounting via supplied mounting plate and screws |
| Material (housing) | Plastic |
| Housing color | Black, similar to RAL9011 |
| Material (door/cover) | Plastic |
| Color (door/cover) | silver, similar to RAL9006 / black, similar to RAL9017 |
| Locking mechanism | integrated lock |
| Dimensions (HxWxD) | 492 x 400 x 192 mm |
| Weight (net) | Approx. 21 kg |

Optional accessories

| | |
|---|--|
| Pole | STEMH30 |
| Foundation | EMH9999 |
| RFID card | E017869, ID TAG RFID user card for stand-alone operation |
| see website at www.abl.de | |

Dimensioned drawing



Subject to change: All features, specifications and other information are subject to change without notice.