

eMH3 WALLBOX

TWIN SLAVE WITH CHARGING CABLES

22 kW

Our new eMH3 wallbox impresses with an extremely clean and elegant design. The color backlit symbols in the mirror-finish black cover with silver frame indicate the current charging status. The eMH3 Twin has two fixed charging cables with a Type 2 coupler for charging with up to 22 kW. For access control, the internal RFID module of the eMH3 Wallbox can be activated at any time via software. Of course, the eMH3 comes with our DC fault current detection installed as standard. The wallbox is designed as a slave unit and is controlled via a suitable master wallbox. The master-slave system is suitable for group solutions that are billed via a back end system and communicate via OCPP.



General information

Model	eMH3
Model number	3W2226
EAN number	4011721174662
Commodity code	85371091
Packaging unit (PU)	1 unit
Packaging (dimensions HxWxD)	700 x 500 x 400 mm
Components included	eMH3 Wallbox, printed Quick Start Guide, mounting kit, 1 three-square socket wrench

Input/mains supply

Power supply	Supply up to a maximum of 16 mm ² or cable diameter ≤ 25 mm ²
Rated voltage	230/400 V
Rated current	32 A
Rated frequency	50 Hz
Upstream fuse	32 A (required onsite), C characteristic recommended
Terminal block	Direct connection to RCCB PE: feed-through terminal block

Output/vehicle connection

Connection system	Two charging cables with Type 2 connector in acc. with IEC62196-2, approx. 6 m
Output voltage	230/400 V
Max. charging current	32 A
Maximum output	2 x 11 kW or 1 x 22 kW

Protection/integrated components

RCCB	RCCB, Type A, 30 mA
DC fault current detection	electronic, $I_{\Delta n \text{ d.c.}} \geq 6 \text{ mA}$
Energy meter	MID approved
Load switching	Installation contactor, 4-pole, 40 A
Welding detection	Contactor welding switches off the charging point
Temperature monitoring	internal, charging current reduction or shut down

Charging monitor/status indicators

Charge controller	EVCC2
Indication (operating state/fault indication)	LED
Access control	RFID MIFARE, QR code, SMS or smartphone app
Communication EV	in acc. with IEC 61851-1 Mode 3
Communication EVSE	RS485
Backend communication	via Master

Standards/guidelines

IEC 61851-1
IEC 61439-7 ACSEV

Operating conditions

Storage temperature	-30 to 85°C
Operating temperature	-30 to 50°C
Relative humidity	5 to 95%, no condensation
Class of protection	I
Overvoltage category	III
Degree of pollution	3
Degree of protection (housing)	IP54
Impact strength	IK08
Maximum elevation	$\leq 2,000 \text{ m AMSL}$
Power dissipation	6.5 W

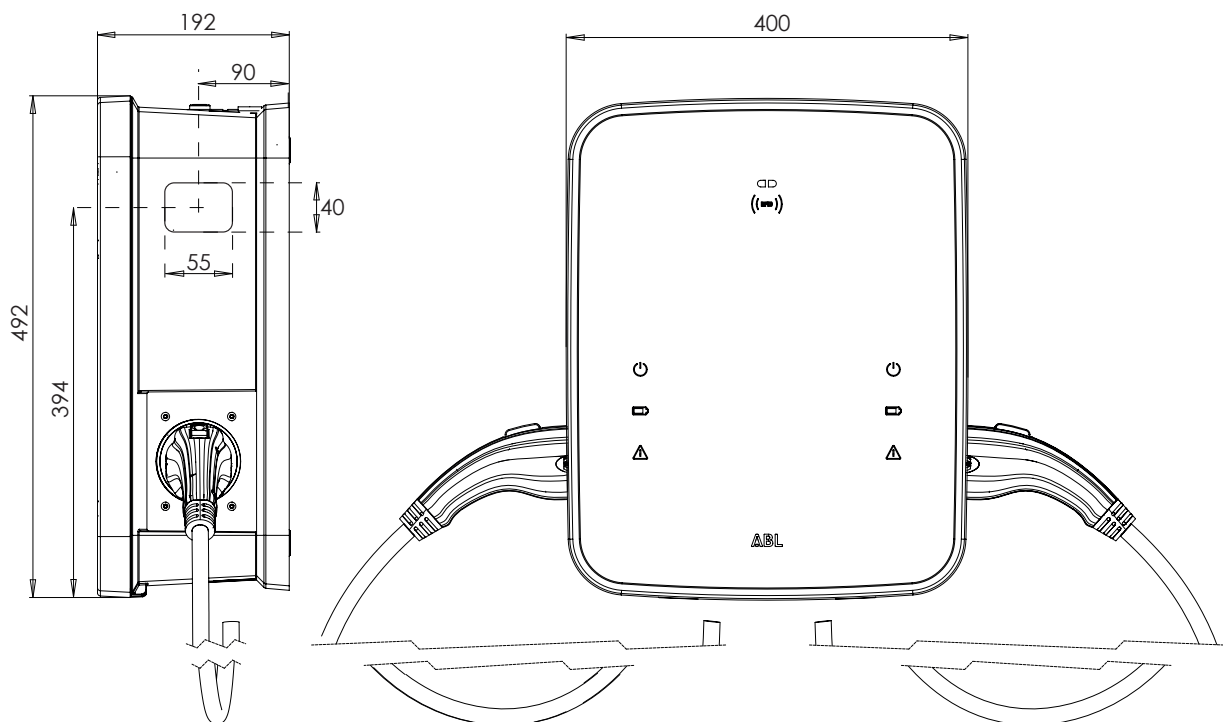
Housing

Type	Wall-mounted housing
Fixing type	Wall mounting via supplied mounting plate and screws
Material (housing)	Plastic
Housing color	Black, similar to RAL9011
Material (door/cover)	Plastic
Color (door/cover)	silver, similar to RAL9006 / black, similar to RAL9017
Locking mechanism	integrated lock
Dimensions (HxWxD)	492 x 400 x 192 mm
Weight (net)	Approx. 21 kg

Optional accessories

Pole	STEMH30
Foundation	EMH9999
RFID card	E017869, ID TAG RFID user card for stand-alone operation
see website at www.abl.de	

Dimensioned drawing



Subject to change: All features, specifications and other information are subject to change without notice.