

eMH2 WALLBOX

MASTER WITH CHARGING CABLE

22 kW

The eMH2 Wallbox is our smart, attractively designed charging solution for domestic and semi-public applications. The translucent cover shows color backlit pictograms to indicate the current charging status. The integrated RFID module ensures fast and secure access. This eMH2 Master provides one Type 2 charging cable with a charging capacity of up to 22 kW. Our Wallboxes come with an integrated Type A RCD and DC fault current detection preinstalled. An additional Type B RCCB is therefore not required. The Wallbox eMH2 Master is prepared for use as a master unit and is suitable for multiple charge point applications.



General information

| | |
|------------------------------|---|
| Model | eMH2 |
| Model number | 2W2241 |
| EAN number | 4011721176802 |
| Commodity code | 85371091 |
| Packaging unit (PU) | 1 unit |
| Packaging (dimensions HxWxD) | 740 x 380 x 217 mm |
| Components included | Wallbox, printed quick reference guide, drilling template, mounting kit, 2 keys |

Input/mains supply

| | |
|-----------------|--|
| Power supply | max. 5 x 16 mm ² |
| Rated voltage | 230/400 V (3-phase) |
| Rated current | 32 A |
| Rated frequency | 50 Hz |
| Upstream fuse | MCB, C, max. 32 A |
| Terminal block | Direct connection to RCD PE to terminal block |

Output/vehicle connection

| | |
|-----------------------|---|
| Connection system | Single charging cable with Type 2 connector in acc. with IEC62196-2, ca. 6.35 m |
| Output voltage | 230/400 V |
| Max. charging current | 32 A |
| Maximum output | 22 kW |

Protection/integrated components

| | |
|----------------------------|---|
| RCCB | RCD, Type A, 30 mA |
| DC fault current detection | electronic, $I_{\Delta n \text{ d.c.}} \geq 6 \text{ mA}$ |
| Energy meter | MID approved (displayed in side window) |
| Load switching | Contactor, 4-pole |
| Welding detection | Contactor welding trips RCD |
| Temperature monitoring | internal, charging current reduction or shut down |

Charging monitor/status indicators

| | |
|----------------------------|---|
| Charge controller | EVCC2 |
| Communication | in acc. with IEC 61851-1 Mode 3 |
| Operating status indicator | LED |
| Error display | LED |
| RFID | ISO14443A/B, 4-byte/7-byte UID only |
| Communication EVSE | RS485, bus/master |
| Backend communication | OCPP 1.6 via LAN or LTE/WIFI (optional) |

Standards/guidelines

| |
|-------------|
| IEC 61851-1 |
| IEC 61439-7 |
| IEC 62196-1 |
| IEC 62196-2 |

Operating conditions

| | |
|--------------------------------|----------------------------|
| Storage temperature | -30 to 85°C |
| Operating temperature | -30 to 40°C |
| Relative humidity | 5 to 95% - no condensation |
| Class of protection | I |
| Overvoltage category | III |
| Degree of pollution | 3 |
| Degree of protection (housing) | IP54 |
| Impact strength | IK08 |
| Maximum elevation | ≤ 2,000 m AMSL |
| Power dissipation | n/a |

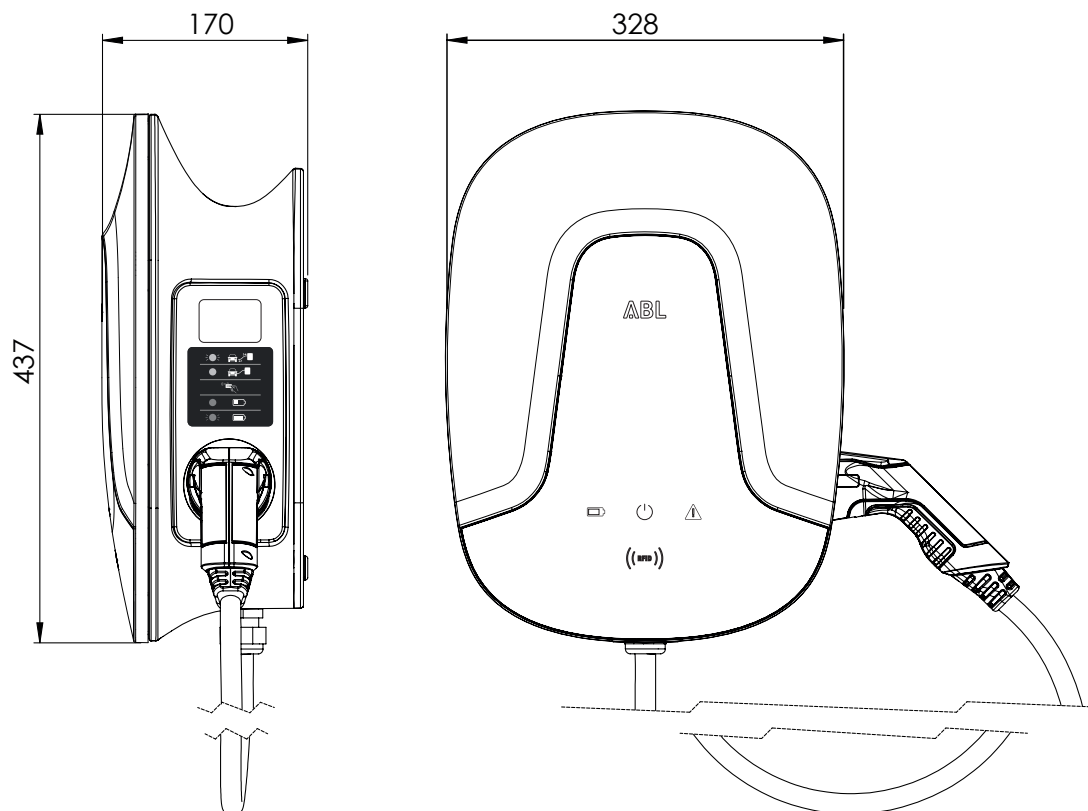
Housing

| | |
|--------------------|--|
| Type | Wall-mounted housing (can be used for cable storage) |
| Fixing type | Wall bracket (mounting kit provided) |
| Material (housing) | Plastic |
| Housing color | black, RAL9011 |
| Material (cover) | Plastic |
| Cover color | black, translucent |
| Locking mechanism | Lockable cover with safety screw |
| Dimensions (HxWxD) | 437 x 328 x 170 mm |
| Weight (net) | approx. 8.5 kg |
| Weight (gross) | approx. 10 kg |

Optional accessories

see website at www.abl.de

Dimensioned drawing



Subject to change: All features, specifications and other information are subject to change without notice.