

**Duroplast surface-mounted socket outlet****Perilex**

2441860


**General information**

Product number	2441860
Model	Duroplast surface-mounted socket outlet
Colour	white

**Electrical parameters**

Current	16A
Voltage	230/400V
Poles	3P +N+ PE

**Standards/Directives**

According to	DIN 49445/46 / DIN VDE 0620
Standard	Perilex
Certification marks	

**Operating conditions**

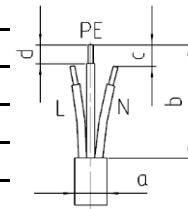
Storage temperature	-15°C to +60°C
Operating temperature	-15°C to +35°C
Relative humidity	5 to 95%, no condensation
Degree of protection	IP44

**Materials**

Contact Carrier	Duroplast
Housing	Duroplast
Halogens	Halogen free according to IEC 61249-2-21

**Connecting cable**

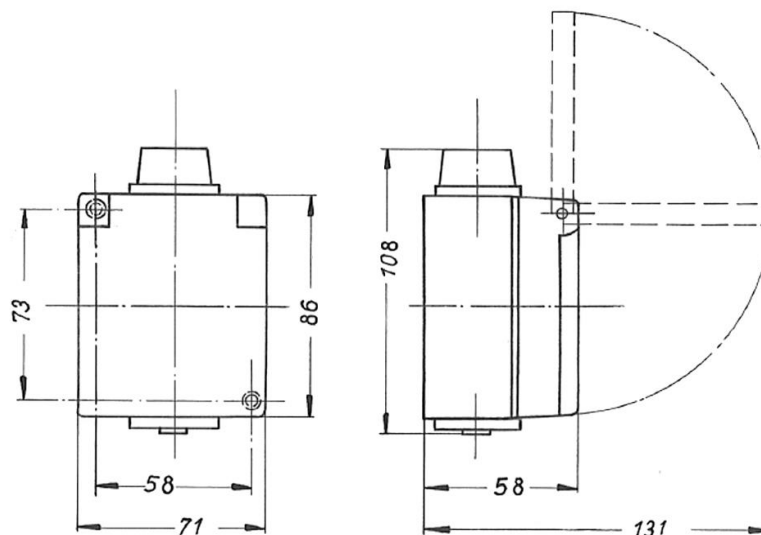
Cross section	5x1,5mm <sup>2</sup> -4mm <sup>2</sup>
Cable diameter, dimension a	max. 20,0mm
Insulation strip length sheath, dimension b	-
Trim L/N, dimension c	-
Insulation strip length cores, dimension d	8-10mm



**Connection screws**

Max. torque for screws L-N/PE	1,2 Nm
Screw drive L-N/PE	Combined slot/PZ2
Max. torque for screws housing	1,2 Nm
Screw drive housing	Combined slot/PZ2

Subject to modifications



If the application requires extended specifications, we recommend to test the application under real or simulated conditions. Parameters like duration, quantity and temperature will effect the result significantly