

Duroplast flush-mounted socket outlet

Perilex

2421110




General information

Product number	2421110
Model	Duroplast flush-mounted socket outlet
Colour	white

Electrical parameters

Current	16A
Voltage	230/400V
Poles	3P +N+ PE

Standards/Directives

According to	DIN 49445/46 / DIN VDE 0620
Standard	Perilex
Certification marks	

Operating conditions

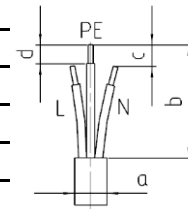
Storage temperature	-15°C to +60°C
Operating temperature	-15°C to +35°C
Relative humidity	5 to 95%, no condensation
Degree of protection	IP20

Materials

Contact Carrier	Duroplast
Housing	Duroplast

Connecting cable

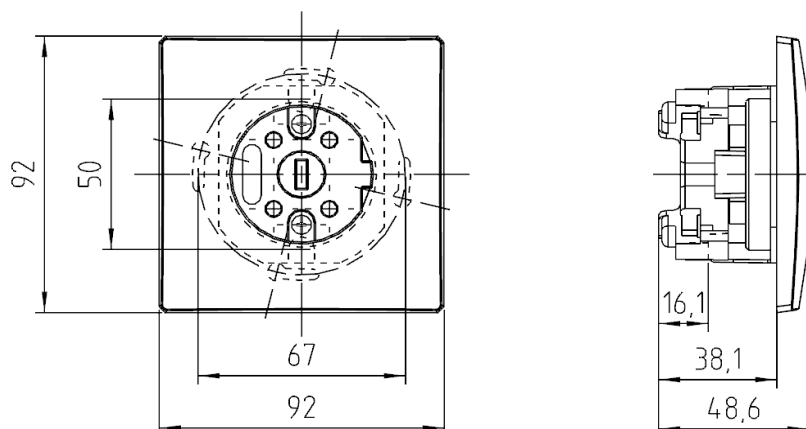
Cross section	5x1,5mm ² -4mm ²
Cable diameter, dimension a	max. 20,0mm
Insulation strip length sheath, dimension b	-
Trim L/N, dimension c	-
Insulation strip length cores, dimension d	8-10mm



Connection screws

Max. torque for screws L-N/PE	1,2 Nm
Screw drive L-N/PE	Combined slot/PZ2
Max. torque for screws housing	0,8 Nm
Screw drive housing	Combined slot/PZ2

Subject to modifications



If the application requires extended specifications, we recommend to test the application under real or simulated conditions. Parameters like duration, quantity and temperature will effect the result significantly