

# Thermoplastic socket outlet

## SCHUKO

1661360






### General information

Item number	1661360
Model	Thermoplastic socket outlet
Colour	grey

### Electrical parameters

Amperage	16A
Voltage	250V
Poles	2P + PE

### Standards/Directives

According to	DIN VDE 0620
Standard	SCHUKO
Certification marks	  

### Operating conditions

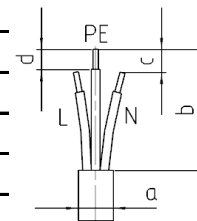
Storage temperature	-25°C to +70°C
Operating temperature	-25°C to +40°C
Relative humidity	5 to 95%, no condensation
Degree of protection	IP20

### Materials

Contact Carrier	PA
Housing	PA

### Connecting cable

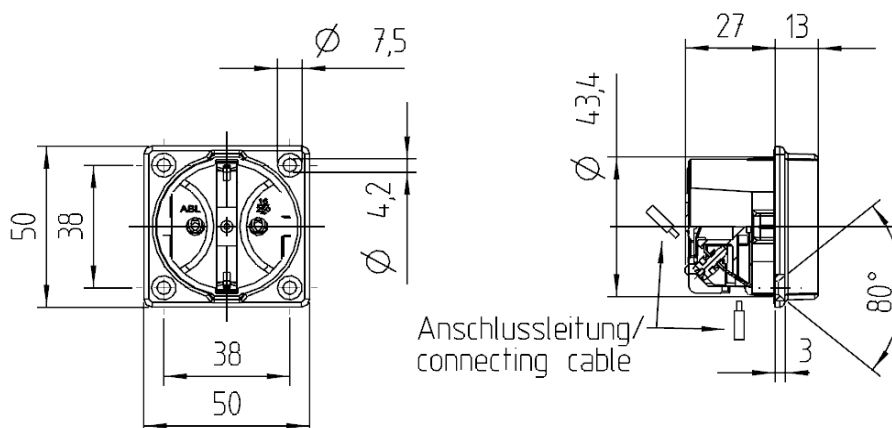
Cross section	3x1,5mm <sup>2</sup> -3x2,5mm <sup>2</sup>
Cable diameter, dimension a	arbitrary
Insulation strip length sheath, dimension b	min. 20mm
Trim L/N, dimension c	0mm
Insulation strip length cores, dimension d	8-10mm



### Connection screws

Max. torque for screws L-N/PE	0,5 Nm
Screw drive L-N/PE	Combined slot/PZ1

Subject to modifications



If the application requires extended specifications, we recommend to test the application under real or simulated conditions. Parameters like duration, quantity and temperature will effect the result significantly