

Three-way solid rubber connector

SCHUKO

1173503







General information

| | |
|-------------|----------------------------------|
| Item number | 1173503 |
| Model | Three-way solid rubber connector |
| Colour | black |

Electrical parameters

| | |
|----------|---------|
| Amperage | 16A |
| Voltage | 250V |
| Poles | 2P + PE |

Standards/Directives

| | |
|---------------------|--|
| According to | DIN VDE 0620 |
| Standard | SCHUKO |
| Certification marks |     |

Operating conditions

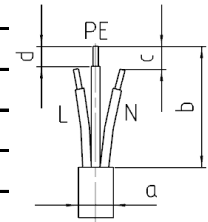
| | |
|-----------------------|---------------------------|
| Storage temperature | -25°C to +70°C |
| Operating temperature | -25°C to +40°C |
| Relative humidity | 5 to 95%, no condensation |
| Degree of protection | IP54 |

Materials

| | |
|-----------------|------------|
| Contact Carrier | Rubber |
| Housing | Rubber/TPE |

Connecting cable

| | |
|---|--|
| Cross section | 3x1,0mm ² -3x2,5mm ² |
| Cable diameter, dimension a | 6-12mm |
| Insulation strip length sheath, dimension b | 50-60mm |
| Trim L/N, dimension c | 0mm |
| Insulation strip length cores, dimension d | 8-10mm |



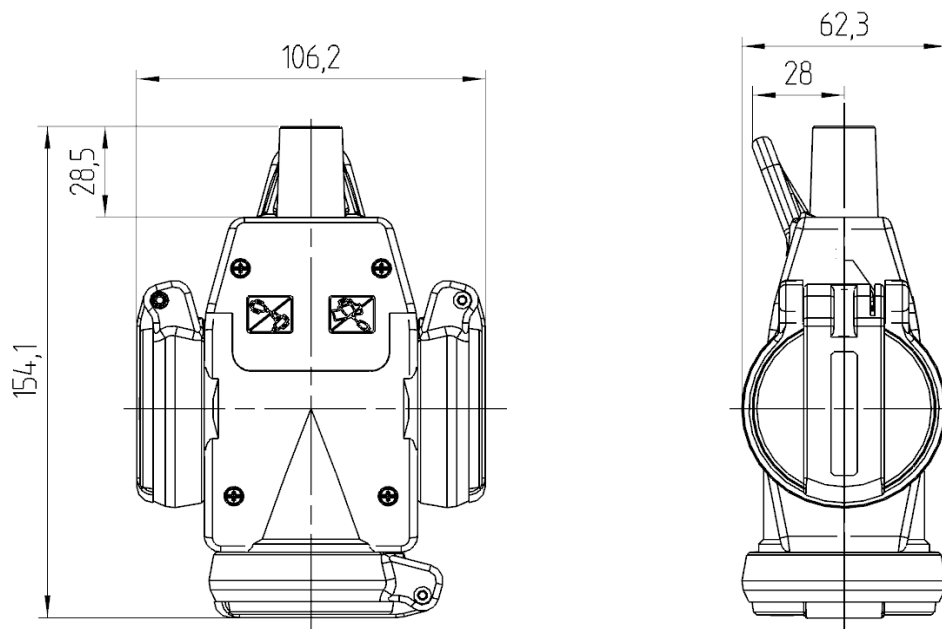
Connection screws

| | |
|--------------------------------------|-------------------|
| Max. torque for screws L-N/PE | 0,8Nm |
| Screw drive L-N/PE | Combined slot/PZ2 |
| Max. torque for screws housing | 0,5 Nm |
| Screw drive housing | Combined slot/PZ1 |
| Max. torque for screws strain relief | 0,5 Nm |
| Screw drive strain relief | Combined slot/PZ1 |

Additional technical information

| | |
|--------------------------|-----------------------------------|
| Turn strain relief clamp | for wire diameter less than 8,5mm |
| Voltage indicator | With voltage indicator |

Subject to modifications



If the application requires extended specifications, we recommend to test the application under real or simulated conditions. Parameters like duration, quantity and temperature will effect the result significantly